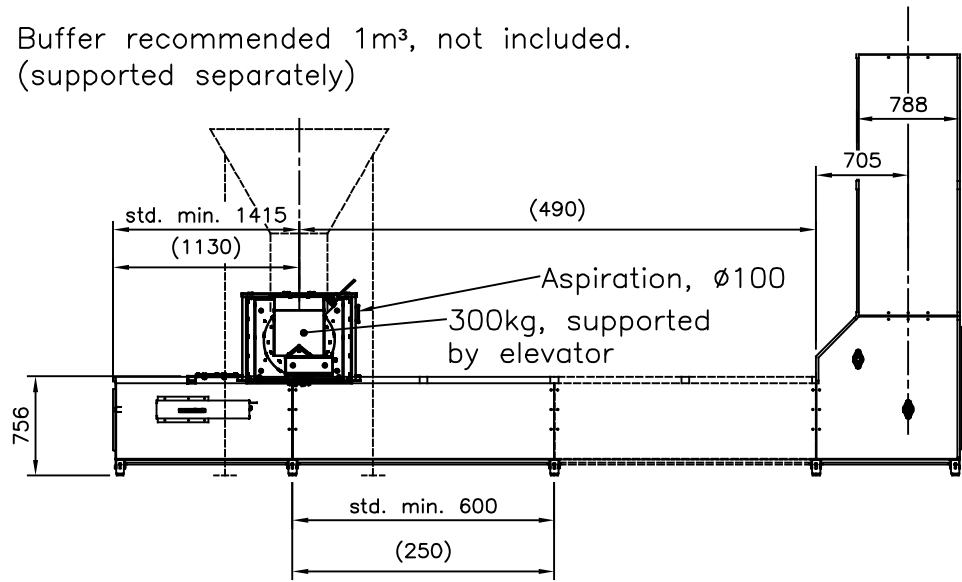
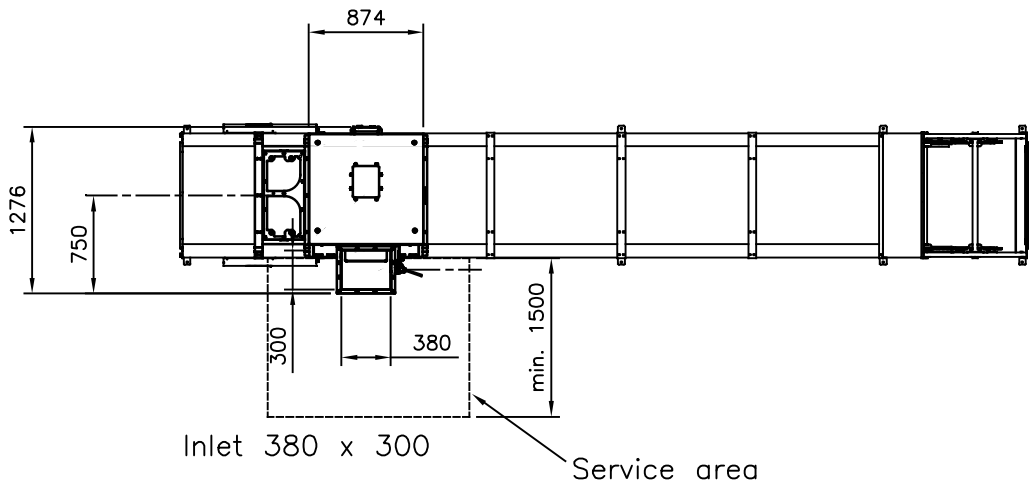


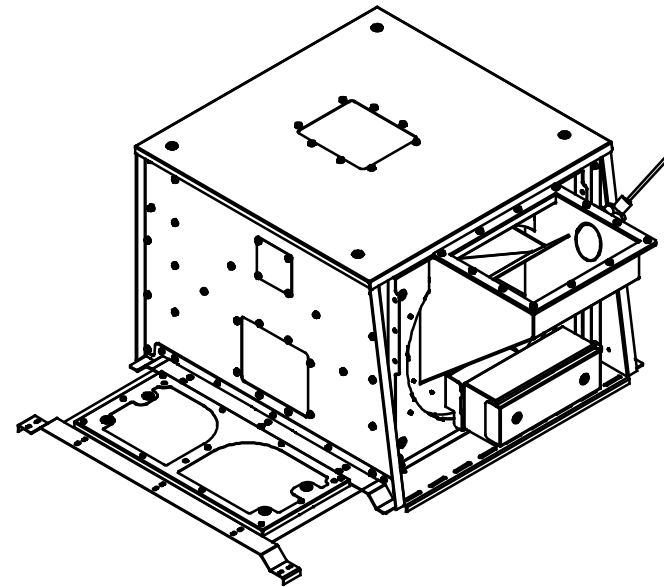
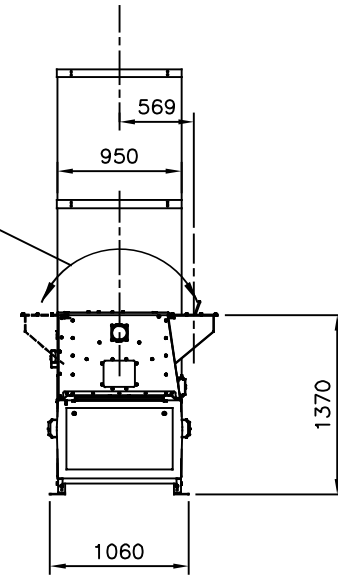
Buffer recommended 1m³, not included.
(supported separately)



() = absolute possible minimum.



placement of inlet selected by mounting.



Simatek BULK SYSTEMS A/S Charlottevej 8, DK-4270 Hoeng. Tel.: +45 58841680	DRAWN BY	TLK
	DATE	15052014
Fax: +45 58852443 Tel.: +45 58841680	SCALE	1:30 (A2)
	CHECK BY	
Universalelevator type 200E CBFS - "drumfeeder" Mounting dimensions	APPR. BY	
	REVISED	10032017
	DRAWING NO.	980018C
THIS DRAWING IS OUR POSSESSION AND MAY NOT BE USED WITHOUT OUR PERMISSION		