

universal **ELEVATOR**



Gentle and flexible conveying of food products

Simatek Bulk Systems A/S is a niche company specialised in the mechanical conveying of fragile products including food products.

Parallel to our closed/shielded Universal Elevators we offer an open easy-clean elevator in a frame construction well suited for internal conveying of bulk products in the food industry.

Our stainless steel Universal Elevator programme focuses on comprehensive process integration with regards to sanitary handling of the product and the elimination of product spillage.



Orkla Confectionery & Snacks Danmark
Simatek Universal Elevator conveying snacks

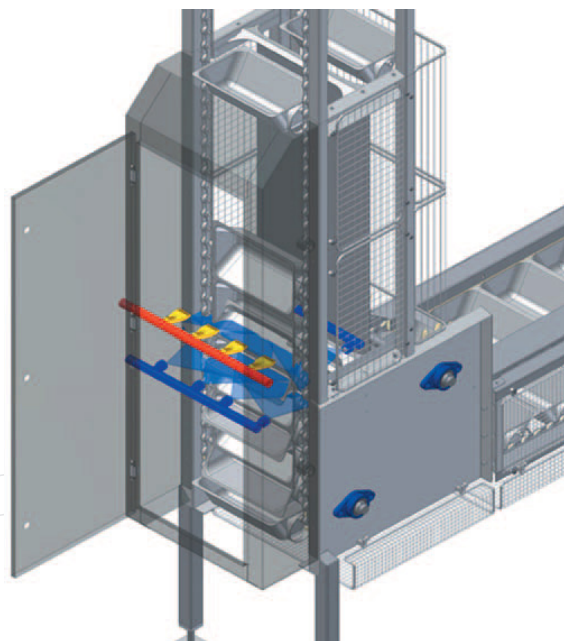
CIP - Cleaning In Place

The CIP station is particularly developed for Simatek Universal Elevators in order to ensure a simple and efficient wet cleaning of buckets and chains.

Product residues will be removed when using the CIP station. Also, when running with different products the risk of product contamination will be avoided.

In addition to the easy-clean construction for manual cleaning of section parts, the CIP system ensures the optimum solution for efficient and up-to-date sanitary conveying.

The CIP station is optional and may also be integrated into existing Simatek Universal Elevators.



Product examples

- Pasta
- Cereals
- Snacks
- Sugar & salt
- Chocolates
- Food ingredients
- Coffee & tea
- Spices
- Nuts
- Candy

Applications

- Drying systems
- Packing
- Fluidisation
- Granulation
- Coating
- Toasting

Simatek Universal Elevator – Pendulum Bucket Elevator

The Simatek Bulk Systems series of modular pendulum bucket elevators offers space-saving and energy-efficient solutions for the conveying of bulk products.

Simatek Universal Elevators come in various forms and with two different pendulum bucket designs. The traditional design is with overlap and forced control of the buckets but an alternative design without bucket overlap and with reduced forced control is also available.

Intermediate outlet

Electric pneumatic intermediate outlets can be mounted on the horizontal sections as per request.

Corner section

Corner section with shaft and sprockets. Double bearing construction of both shaft and free-running sprockets.

Drive and emptying section

The drive section has an electric overload control to protect the elevator.

Vertical and horizontal sections

As standard the intermediate sections come with a rail system for controlling the chains and buckets. The lower horizontal sections have an easily operated drawer system for easy cleaning.

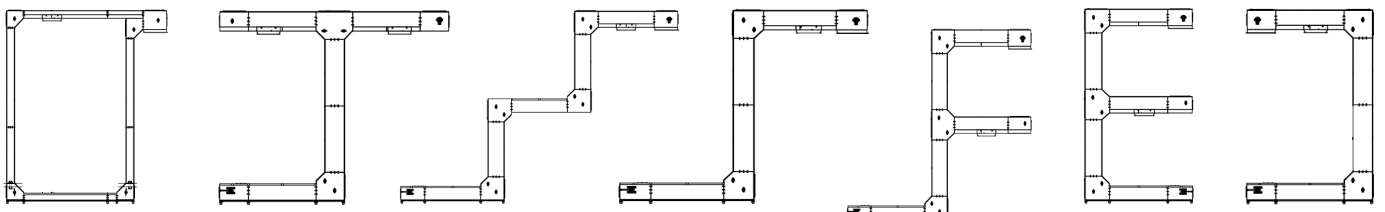
Filling and tensioning section

Optimum operation requires a controlled filling of the elevator. For further information please see separate program on feeding and dosing systems.

The tension section has a unique pneumatic chain tensioner ensuring correct, parallel tensioning.

Service

The vital parts of the elevator have service doors for easy service and inspection access.



A Gentle and Flexible Solution

Next generation of Universal Elevators

Simatek Bulk Systems A/S is constantly developing and implementing technical improvements on the universal elevators. The latest initiatives ensure the best and most secure elevator solution within the food industry today.

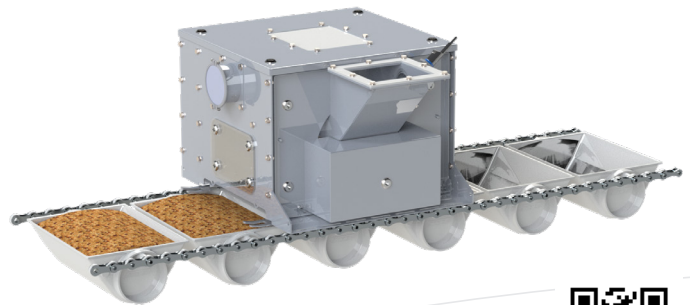
Continuous Batch Feeding System

The patented Simatek Drum Feeder is mechanically synchronised with the elevator and ensures a consistent and controlled filling of the buckets.

The buckets are filled separately without spillage.

The slow pace enables gentle conveying at a high filling degree.

With the Simatek Drum Feeder there is no overlap nor mechanical contact between the buckets which is a significant advantage.

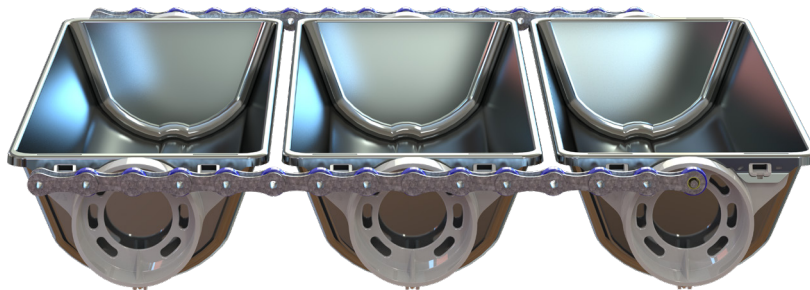


Elevator buckets

For the drum feeder system the Free Rotating Buckets (FRB), in stainless steel and without overlap between the buckets is an option.

The buckets are food approved*) and wear parts are limited to easily replaceable bucket gables.

Another option is the Polypropylene buckets which are also food approved*/**).



*) According to REGULATION (EC) No 1935/2004 on materials and articles intended to come into contact with food.

***) According to REGULATION (EC) No 10/2011 on plastic materials and articles intended to come into contact with food.

Lubrication free chains

When handling food products it is often desired to avoid chain lubrication.

Therefore we offer lubrication free chains as an option.

